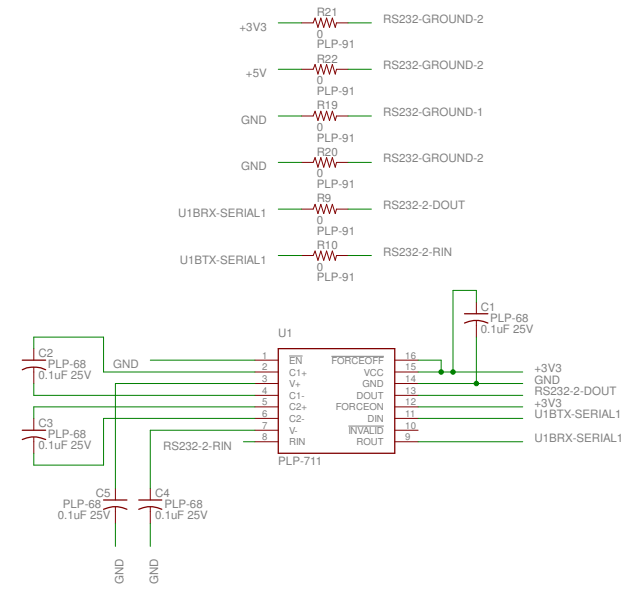
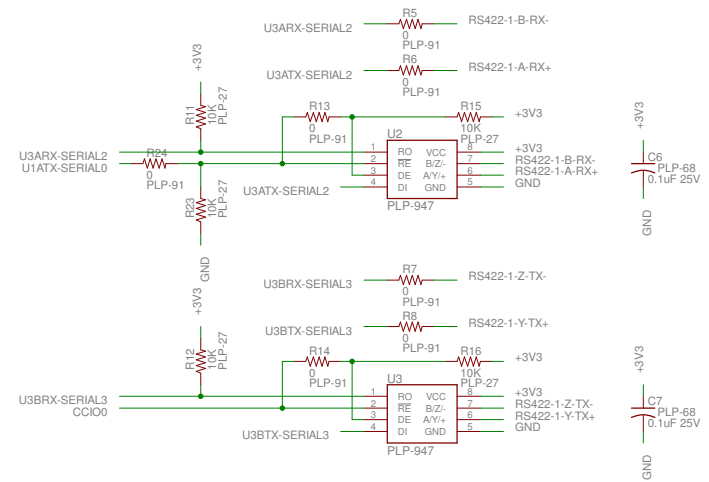
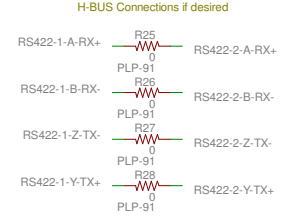
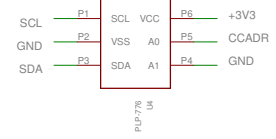
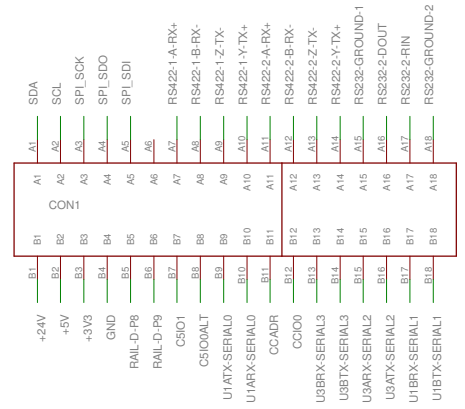
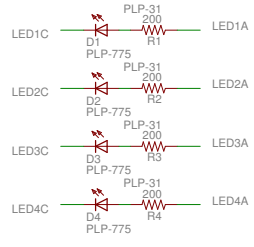


# KardCom by PONTECH

licensed under a Creative Commons Attribution 3.0 US License



TITLE: KardCom		
Document Number:	PLPB-0042	REU: D
Date: 12/1/2014 3:32:21 PM	Sheet: 1/1	